

HESPER



DESCRIPTION

The HESPER series is a line of versatile projectors, with a modern design and soft shapes, suitable for lighting stadiums, pavilions, parking areas and areas in general.

Available in 3 sizes, for which there are numerous photometric distributions, all of them equipped with high-efficiency LEDs.

It is made of high-pressure die-cast aluminum and finished with electrostatically deposited and oven-cured epoxy paint, which gives a durable and corrosion-resistant finish. The closure of the equipment is made of high transmittance tempered glass, and the opening system is designed to facilitate quick access to the equipment without the need for tools, facilitating the installation and maintenance of the equipment.

Likewise, the glass closure provides additional protection to the PMMA lenses of the optical assembly, protecting them from direct UV radiation and inclement weather.



Parameter	HESPER S 40	HESPER S 60	HESPER S 80	HESPER M 100	HESPER M 120	HESPER M 150	HESPER M 180	HESPER M 200	HESPER M 240
Power	40 W	60 W	80 W	100 W	120 W	150 W	180 W	200 W	240 W
Color temp.	3000K - 4000K - 5000K								
Luminous flux	5.900 lm	9.200 lm	11.500 lm	14.400 lm	17.200 lm	21.800 lm	26.100 lm	29.100 lm	35.200 lm
Power factor	> 0,95								
CRI	Ra 70 (optional Ra 80)								
IP	IP66								

** Nominal powers. They can be adjusted to values by regulating the lout of the driver*

TECHNICAL CHARACTERISTICS

- Input voltage: AC 100-277 Vac; 50/60 Hz.
- Life span >100.000 h (L80B10 ; Ta= 25°C).
- IP66 / IK08
- Surge protection: 10kV
- Operating temperature: -30°C +45°C.
- High-pressure die-cast aluminum body, flat tempered glass closure. Stainless steel screws.
- Electrical class I
- DRIVER. Available options: DALI, 1-10V, PWM, CLO, NTC.

MOUNTING



SIZES



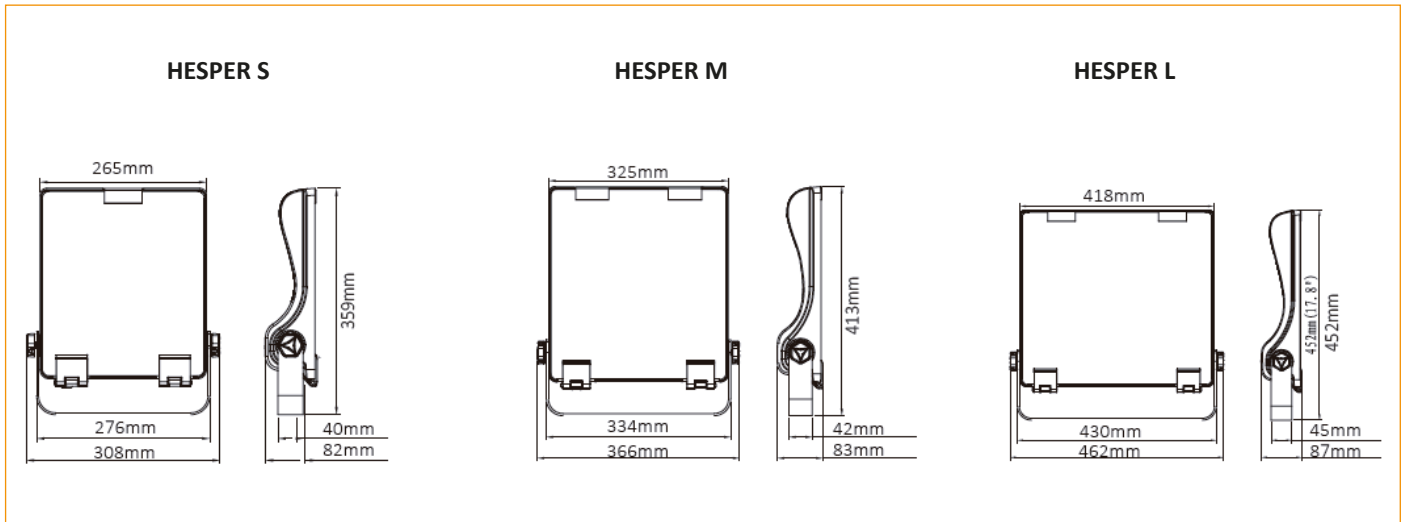
STANDARDS / CERTIFICATES

- UNE-EN 60598-1
- UNE-EN 60598-2.3
- UNE-EN 62031
- UNE-EN 62471
- UNE-EN 62493
- UNE-EN 61347-2-13
- UNE-EN 62384
- UNE-EN 55015
- UNE-EN 61547
- UNE-EN 61000-3-2
- UNE-EN 61000-3-3
- RoHS
- CE
- ENEC

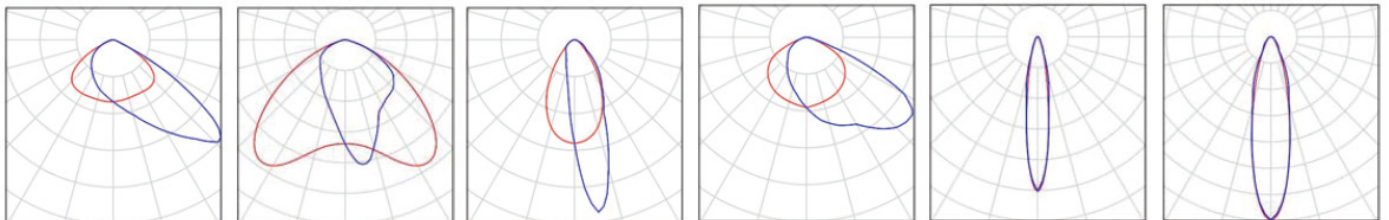
HESPER

DIMENSIONS

* Units in mm



PHOTOMETRIES



* More photometries available depending on application