

SIRIUS



DESCRIPTION

The SIRIUS S series is designed to meet the most demanding projection lighting requirements, covering a wide range of applications, it also includes all the control features and interfaces necessary to make them even more efficient.

Incorporating high-efficiency optics and state-of-the-art LEDs, it is a highly competitive solution that offers an outstanding lux/€ ratio with savings of up to 50% (without the use of additional controls) compared to traditional light sources.

The wide variety of optics guarantee maximum coverage of different ideal applications for lighting sports courts, platforms airports, supermarkets, industrial areas, etc.

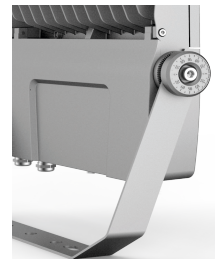
It's easy to install, just plug it in and select the best option for your needs.



Parameter	SIRIUS-100	SIRIUS-150	SIRIUS-200	SIRIUS-250	SIRIUS-300
Power	100 W	150 W	200 W	250 W	300 W
Color temp.	3000K- 4000K- 5000K				
Luminous flux	13.500 lm	20.250 lm	27.000 lm	33.750 lm	40.500 lm
Power factor	> 0,95				
CRI	Ra>70				
IP	IP66				

** Nominal powers. They can be adjusted to values by regulating the lout of the driver*

DEGREE INDICATOR AND UNIVERSAL BRACKET FOR TILT AND MOUNTING



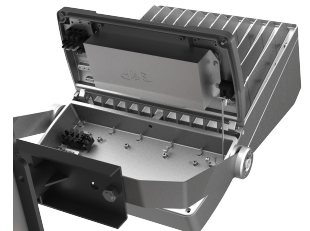
TECHNICAL CHARACTERISTICS

- Luminous efficiency up to 135 lm/W
- Input voltage: AC 100-277 Vac; 50/60 Hz.
- Life span >100.000 h (L70).
- IP66 / IK08
- Operating temperature:-30°C +45°C.
- High-pressure die-cast aluminum body, flat tempered glass closure. Stainless steel screws. Lyre mounting.
- Electrical class I
- DRIVER. Available options: DALI, 1-10V, PWM.

POSSIBILITY OF LOOP CONNECTION



INTERNAL STRUCTURE

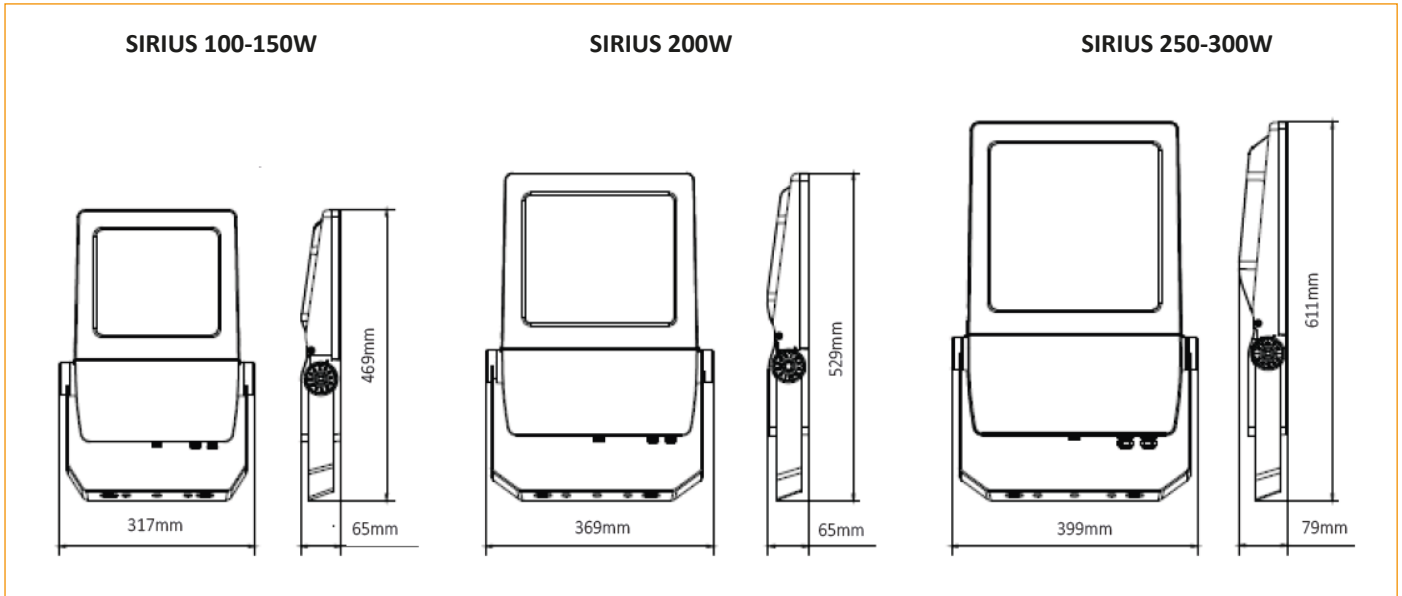


STANDARDS / CERTIFICATES

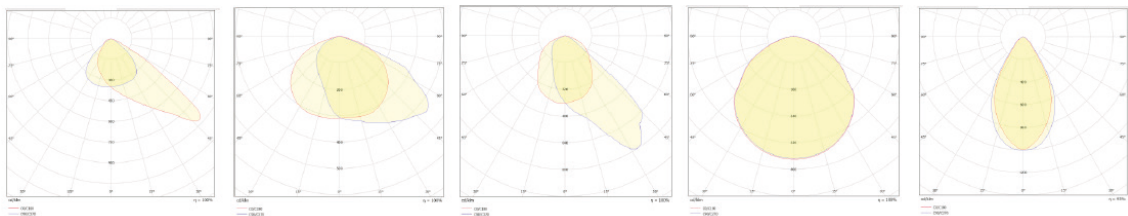
- UNE-EN 60598-1
- UNE-EN 60598-2.3
- UNE-EN 62031
- UNE-EN 62471
- UNE-EN 62493
- UNE-EN 61347-2-13
- UNE-EN 62384
- UNE-EN 55015
- UNE-EN 61547
- UNE-EN 61000-3-2
- UNE-EN 61000-3-3
- RoHS
- CE

SIRIUS

DIMENSIONS



PHOTOMETRIES



* More photometries available depending on application